

Solutions for Brent Secure Telephones:

- **Brent in the USA**
- **Brent over IP**
- **Brent over Satellite**

Brent in the USA:

The Open Networks USI3500 allows a terminal supporting the ETSI Euro-ISDN basic rate protocol to be connected in the United States and to call another unit connected in the same way or to another located in Europe.

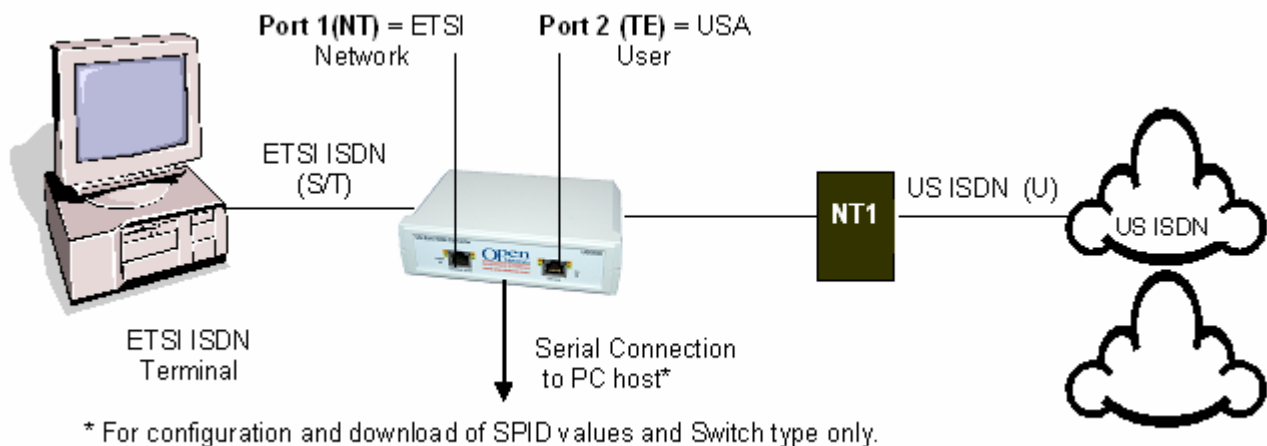
The Open Networks USI3500 allows ISDN secure telephone units that only support Euro-ISDN (such as the UK's BRENT & HANNIBAL) to be used on both sides of the Atlantic.

By behaving as an US terminal, the USI3500 is able to perform special functions not supported by the ETSI-only devices, such as SPID (Service Profile ID) negotiation. It will then provide a conversion between ETSI Euro-ISDN and the US protocols.

Each port on the USI3500 is configured as an S/T interface; with one behaving as an US 'user' for connection to a standard US NT1, and the other behaving as an ETSI network for connection to your European terminal.



Connection Diagram Example:



Technical Specification:

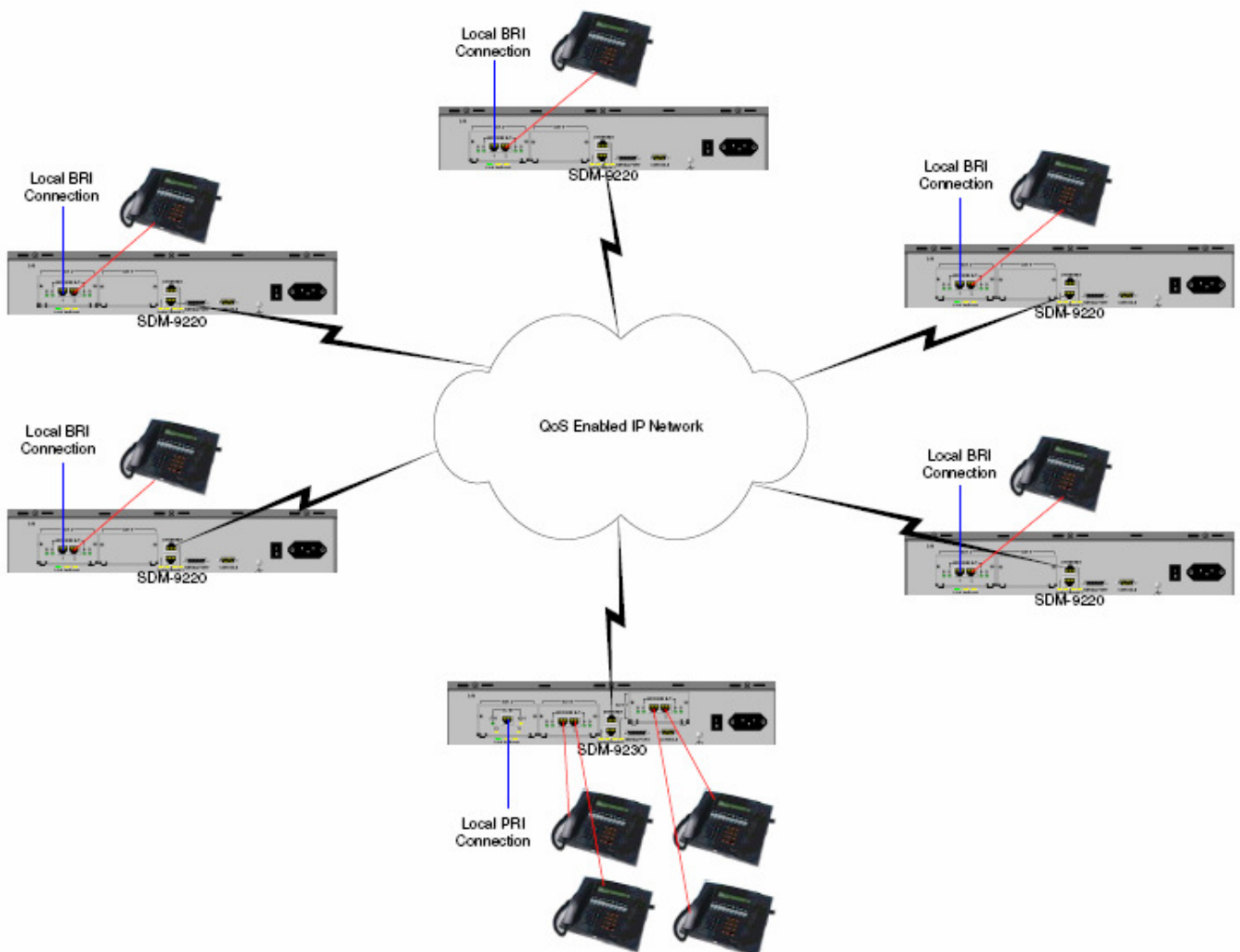
ISDN Interfaces	Port 1	Port 2
Protocol	ETSI Euro ISDN	User selectable: AT & T Custom, DMS100, National ISDN 1 & 2
Connection	1 x RJ45	1 x RJ45
Interface Type	S/T Interface NT (network port)	S/T Interface TE (user port for connection to an NT1)
TEI's	1 off	2 off
PS1 Feeding	Normal	N/A
SPID (Service Profile ID)	N/A	Supported

Brent over IP:

Using the Verso NetPerformer range of voice and data routers, Open Networks offers a solution to switch ISDN BRI calls over a managed IP network.

The advanced voice switching functionality of the NetPerformer means that users can create a virtual ISDN network for internal use and then perform breakout to the PSTN using both BRI and PRI.

The NetPerformer can distinguish between secure and non-secure voice calls and subsequently will pass the secure call as a transparent 64Kbps call but will perform advanced voice compression algorithms to save bandwidth on non-secure calls. The system also supports Brent data calls.





Unlike TDM over IP solutions, the proprietary cell-based protocol of the NetPerformer does not need to regenerate the timing signals across the network and all synchronisation is provided locally to each Brent.

Digit manipulation and hunt groups are supported to give flexibility to user defined numbering plans.

Please contact us for more details and see the NetPerformer datasheets at www.one.co.uk.

Brent over Satellite:

Also using Verso's NetPerformer we can provide solutions for Brent over satellite networks.

This can be done using single carrier per channel uplinks (SCPC) or exploiting the broadcast nature of satellite links with Verso's SkyPerformer solution – please see our product pages for details.

With SkyPerformer we can support star, distributed star, full mesh and partial mesh networks.

This solution works in exactly the same way as the Brent over IP system, and in fact we have installed systems running over IP satellite networks.

The automatic prioritisation of voice traffic within the NetPerformer means we can also provide LAN/Internet access services through the system.



OPEN NETWORKS ENGINEERING LTD

Contact:

Telephone: +44 (0)1279 755370

Fax: +44 (0)1279 755371

Email: admin@one.co.uk

Web: www.one.co.uk

Registered
Office:

Classic House, Raynham Road, Bishop's Stortford, Hertfordshire, CM23 5PD
Registered in England and Wales. Company registration number 2476563